



## HALO 3C BACK BOX MOUNT INSTALLATION GUIDE

Brought to you by:



1490 North Clinton Ave, Bay Shore NY 11706  
[www.ipvideocorp.com](http://www.ipvideocorp.com) • [info@ipvideocorp.com](mailto:info@ipvideocorp.com) • 631.969.2601

## BEFORE YOU START

Tools required include: #2 Phillips screwdriver, T10 Security Torx wrench (included), and some others that depend on the mounting arrangement selected. This sheet assumes the inclusion of the HALO Installation Guide.

## LOCATION

HALO 3C Back Box Mount can be located on either the ceiling or the wall, refer to the installation guide for placement recommendations. HALO 3C Back Box may be attached directly to a ceiling, mounted to a standard electrical box, or secured to a ½" or ¾" NPT down pole. Direct surface mounts can be wired using WireMold B1/ V500 or BWH1/V700 surface conduits, or with standard ½" electrical conduit using an available adapter.

## INSTALLATION WITH THROUGH-SURFACE WIRING

*Fig.1* shows the general arrangement of the Surface Mount, wiring, and screw anchors.

Referring to *Fig. 2*, push out the center punch-out to allow wiring to pass through (large red circle).

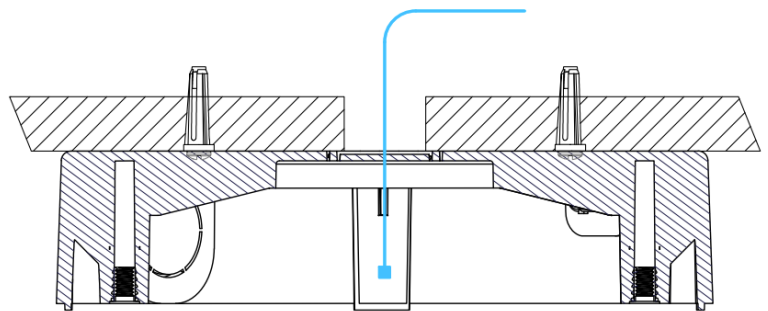
Using the Back Box Mount as a template, mark the large and small holes (4) on the surface desired.

Obtain four (4) screw anchors in #6 or #8 size. Using suitable tools, make the marked holes in the surface for the (4) anchors and the center wire way.

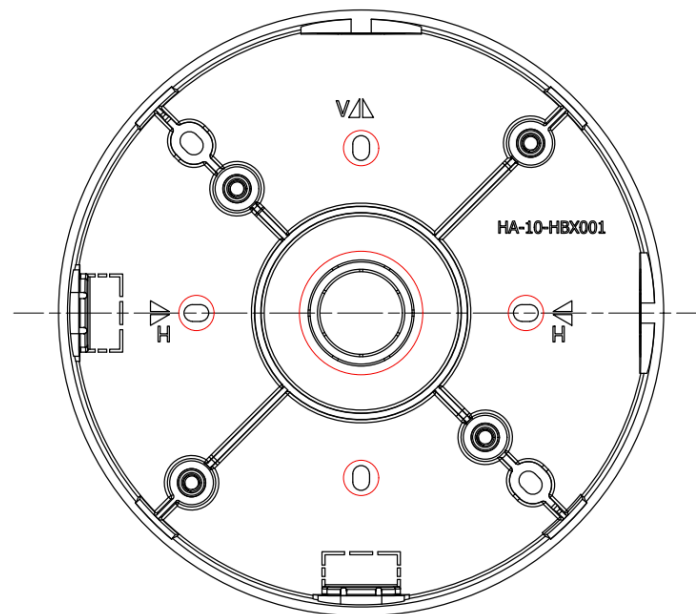
Bring the connectorized shielded network connection through the hole and allow it to dangle.

If relay connections are involved, route the wiring along with the network wire.

Install the (4) screw anchors in the surface, run the network wire through the center hole, and use (4) screws to mount the Surface Mount to the surface.



*Fig. 1*



*Fig. 2*

With the connectorized shielded network connection hanging, lay the included mounting plate on the Back Box.

There will be four cutouts in the mounting plate that align with the Back Box. Ensure the mounting plate is flush to the Back Box.

Fig. 3 shows the installation of the 4 Phillips head screws that were included. **DO NOT OVER TIGHTEN** these screws.

Connect the network cable into the port labeled "IN" on the HALO 3C. Place the HALO on the mounting plate and rotate counterclockwise, taking care not to damage the cable.

Install the included T10 Security Torx screws with the included wrench

Complete the installation and test in accordance with the HALO Installation Guide

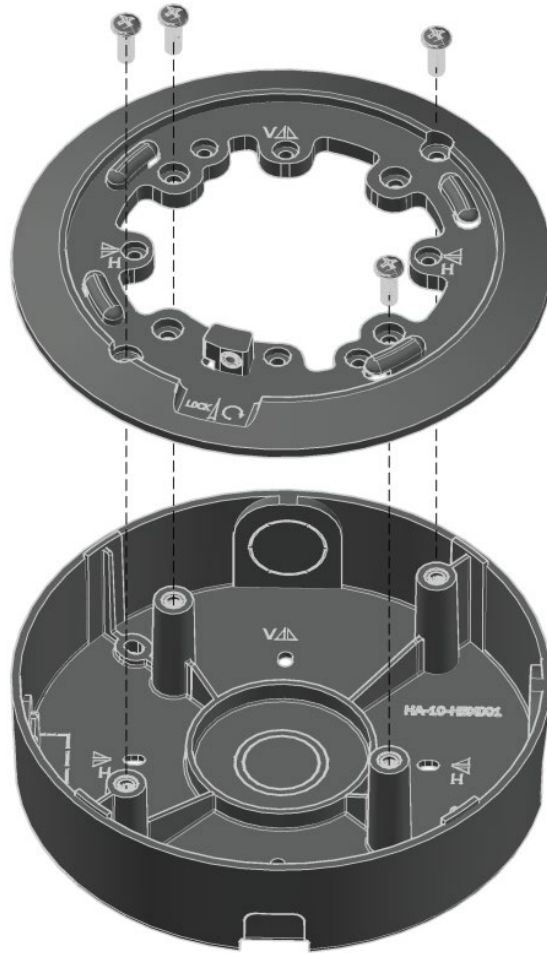


Fig. 3

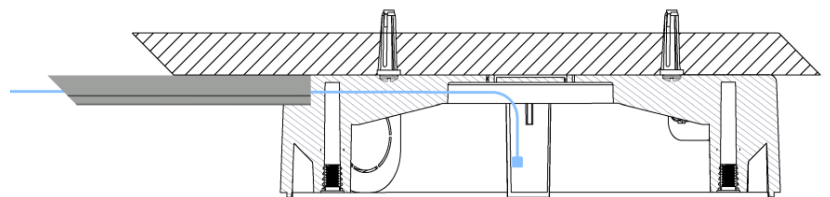
### INSTALL WITH WIREMOLD V500 OR V700

Remove the side punch-out from the Back Box Mount. There are two punch-out locations 90 degrees from each other.

Install the Back Box Mount on the ceiling or wall using four screw anchors as in Page 2.

Insert V500 or V700 WireMold into the provided slot in the Back Box Mount.

Fig.4



Install and connectorized shielded Ethernet cable for data and power.

Connect the mounting plate to the back as seen in fig.3. Connect the network cable into the port labeled "IN" and carefully place the HALO 3C unit on the Back Box Mount, taking care not to damage the cable. Rotate the HALO unit counterclockwise and install the included T10 security Torx screw.

Complete the installation and test in accordance with the standard HALO Installation Guide.

### INSTALL ON CEILING DROP POLE

Remove the round center punch-out from the Back Box Mount. There are two cutouts in the center for either  $\frac{1}{2}$ " or  $\frac{3}{4}$ " ceiling drop pole.

Install the  $\frac{1}{2}$ " or  $\frac{3}{4}$ " NPT (galvanized or black pipe) ceiling drop pole as required for nominal 8-to-9-foot height from floor.

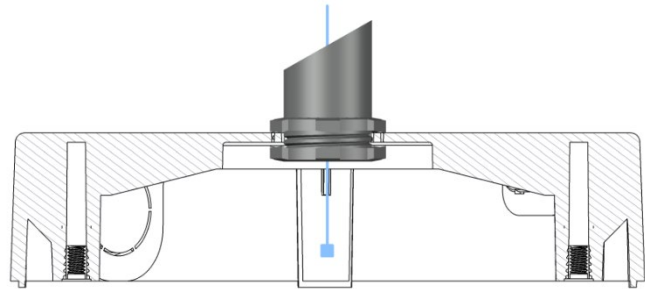


Fig. 5

Route the shielded Ethernet cable down through the pole and install a shielded RJ-45 plug. Leave sufficient service loop to attach the HALO later.

Install Back Box Mount onto the  $\frac{1}{2}$ " or  $\frac{3}{4}$ " NPT pole using the appropriate washers and locking ring nuts. Connect the mounting plate to the back as seen on page 3, Fig.3. Connect the network cable into the port labeled "IN" and carefully place the HALO unit onto the Back Box Mount housing, taking care not to damage the cable. Rotate the HALO unit counterclockwise and install the included T10 security Torx screw.

Complete the installation and test in accordance with the HALO Installation Guide.

### INSTALL WITH $\frac{1}{2}$ " CONDUIT

Remove the round punch-out from the side of the Back Box Mount. There are two punch-out locations 90 degrees from each other.

Install the  $\frac{1}{2}$ " conduit pipe into the previously punched out hole.

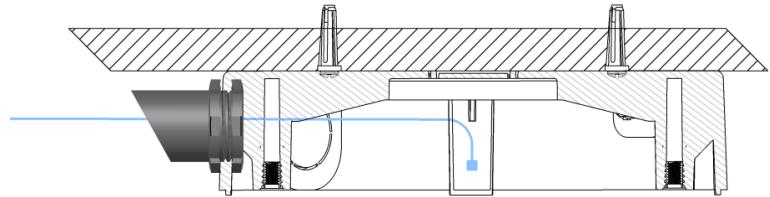


Fig. 6

Route the shielded Ethernet cable down through the conduit and install a shielded RJ-45 plug. Leave sufficient service loop to attach the HALO later.

Install Back Box Mount onto the  $\frac{1}{2}$ " or  $\frac{3}{4}$ " NPT pole using the appropriate washers and locking ring nuts. Connect the mounting plate to the back as seen on page 3, Fig.3. Connect the network cable into the port labeled "IN" and carefully place the HALO unit onto the Back Box Mount housing, taking care not to damage the cable. Rotate the HALO unit counterclockwise and install the included T10 security Torx screw.

Complete the installation and test in accordance with the HALO Installation Guide.

## INSTALL ON CEILING ELECTRICAL BOX

This mounting method is based on a standard electrical box being installed in the ceiling or wall, with the connectorized network cable in place as shown.

The Back Box Mount hole pattern is designed to fit a standard four-by-four electrical utility box without modification.

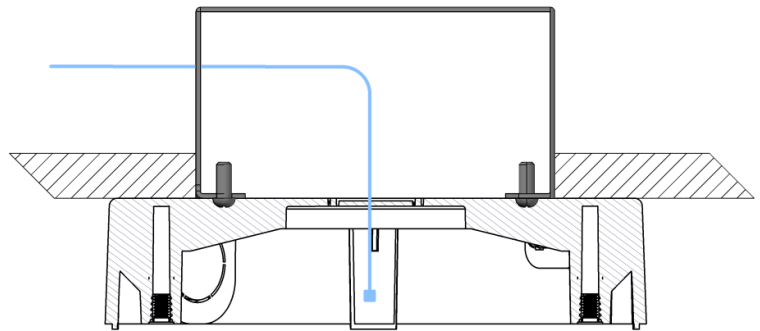


Fig. 7

Remove the center punch-out from the Back Box Mount, run the network cable through the resulting hole, and secure the Back Box Mount to the electrical box using the two mounting holes circled in Fig. 8.

Connect the mounting plate to the back as seen on page 3, Fig.3.

Connect the network cable into the port labeled "IN" and carefully place the HALO unit onto the Back Box Mount housing, taking care not to damage the cable. Rotate the HALO unit counterclockwise and install the included T10 security Torx screw.

Complete the installation and test in accordance with the HALO Installation Guide.

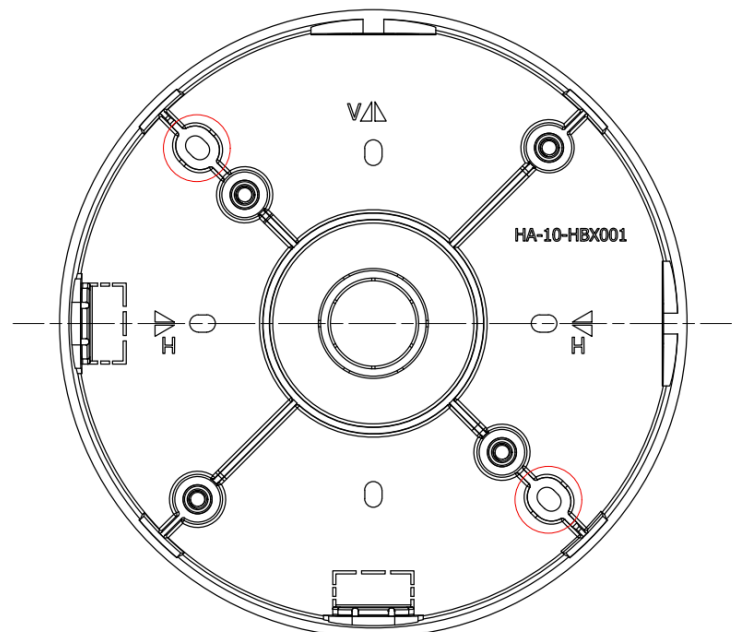


Fig. 8

## WRAPPING UP

The final steps are to use the HALO Device Manager software (on a Windows computer) to locate the unit on the network and change the unit's network configuration in accordance with the facility network plan. Move on to the HALO Quick Start Guide, HALO Device Manager Manual, or the HALO Administration Guide for more information on this topic.



# Back Box Dimensions

